

# KNOEDLER<sup>®</sup>

MANUFACTURIÈRS CANADA, LTEÉ

## AIR-CHIEF

### STANDARD FEATURES:

- 20" Wide Soft Seat Cushion
- Height Adjustable Headrest (can be removed)
- Fully Reclining Backrest
- Triple Chamber Air-Lumbar Support System
- 3-Position Seat Cushion Extension & Tilt Adjustment
- Fore & Aft Slides
- Poly-Dynamic Air-Suspension™

### Optional:

#### FAS

(Foam Adjustment System)

Foam Adjustment System

Helps adjust the foam to fit the body.

#### Includes:

Triple chamber Air-lumbar support system to adjust the proper posterior pelvic tilt, which supports posture.

Side-bolster support system. It allows to adjust the width of the seat back foam, and control the amount of support on each side.



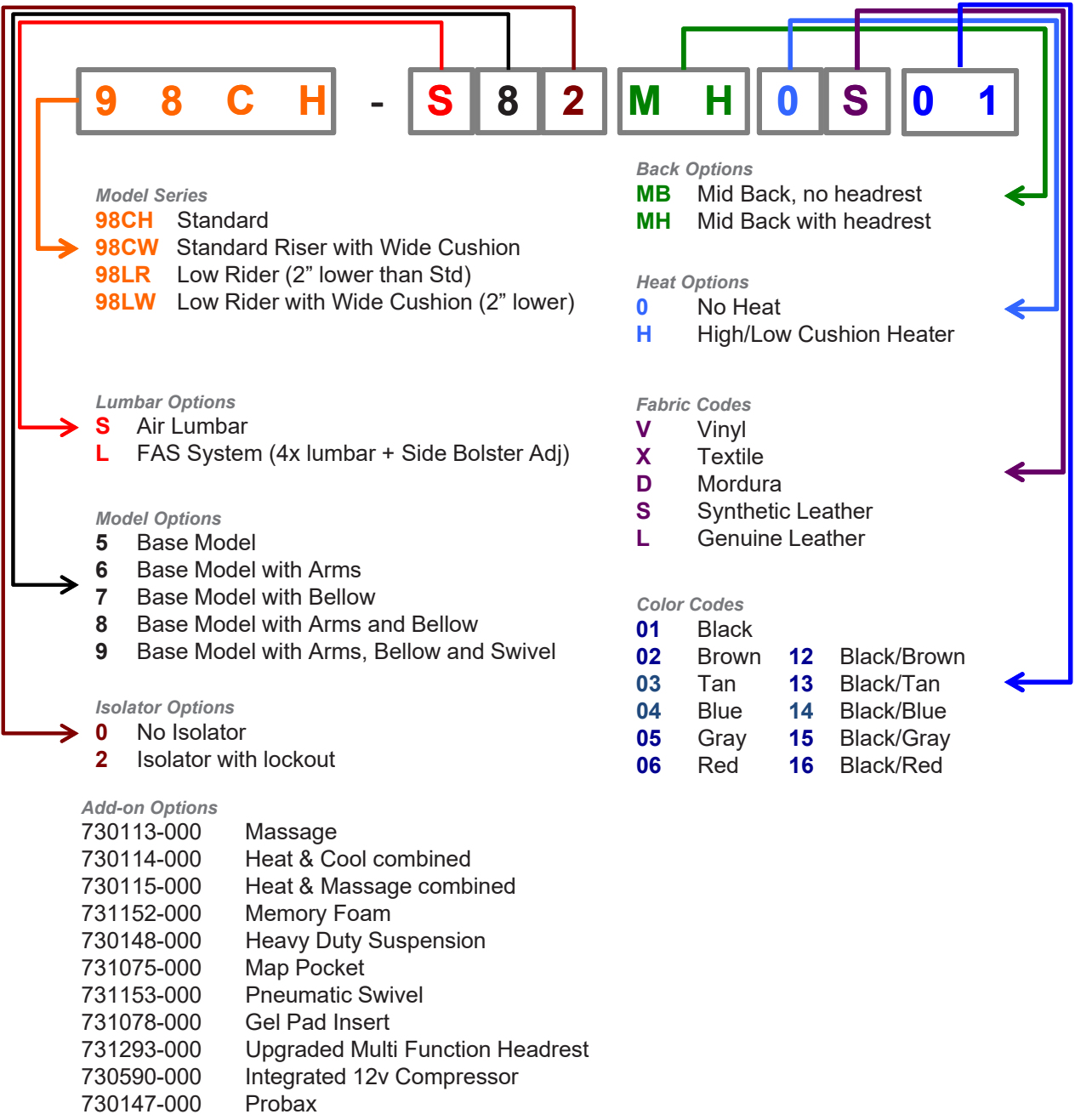
Part # shown: 98LR-L82MH0L05  
+ 730114-000 Heat & Ventilated  
+ 730113-000 Massage System

CONTACT US AT:  
INFO@KNOEDLER.COM  
TEL: 450-445-4777

WWW.KNOEDLER.COM



## Knoedler Manufacturers Air-Chief





## O P T I O N S

My name is Kay Lameyer, and my husband Jim and I are the owners of Blue Thunder Trucking. You might not remember us, but we have never forgotten you.

A little over two years ago, we were working with our Kenworth T800 Tandem Dump Truck in our hometown of Colorado Springs, CO. We were considering closing our business because Jim was in so much pain. His head, back and knee hurt daily. We tried everything from therapy, exercise, and medication. We even moved to the Arizona/Nevada area hoping the warm climate would help him.

The real answer came for us after we attended the 2006 Truck Show in Las Vegas, NV. Knuedler Manufacturers had their seats on display. They told us about the quality and craftsmanship of a Knuedler seat, and we purchased The Chief seat after the show.

This was the best investment we ever made. The seat was installed in half an hour, and Jim noticed the difference immediately. He has felt incredible relief since the first day. Blue Thunder is a strong company again, and Jim tells

Swivel Kit Remote Actuating  
(excluding Slides)  
Part #: 731153-000



HD-Suspension Upgrade  
Part #: 730148-000



Massage System Kit  
8-Motors  
Part #: 730113-000

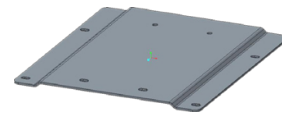


Memory Foam Kit  
(Can not be combined with  
HEAT and HEAT & COOL  
Systems)  
Part #: 731152-000

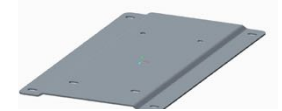


Standard Seat fits all Legacy Kenworth & Peterbilt Models.  
Most Freightliner Trucks and Cascadia

International Adaptor:  
Part #: RR07-INTER-000



Volvo Trucks Adaptor  
Part #:RR00-22VO-000



Freightliner EZ Rider Adaptor  
Part #: RR12-FL01-000

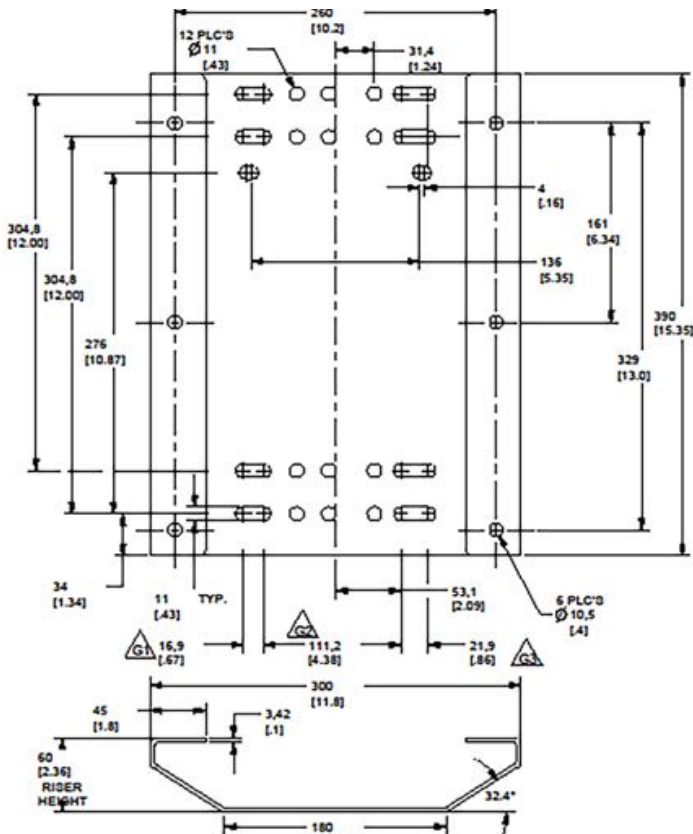
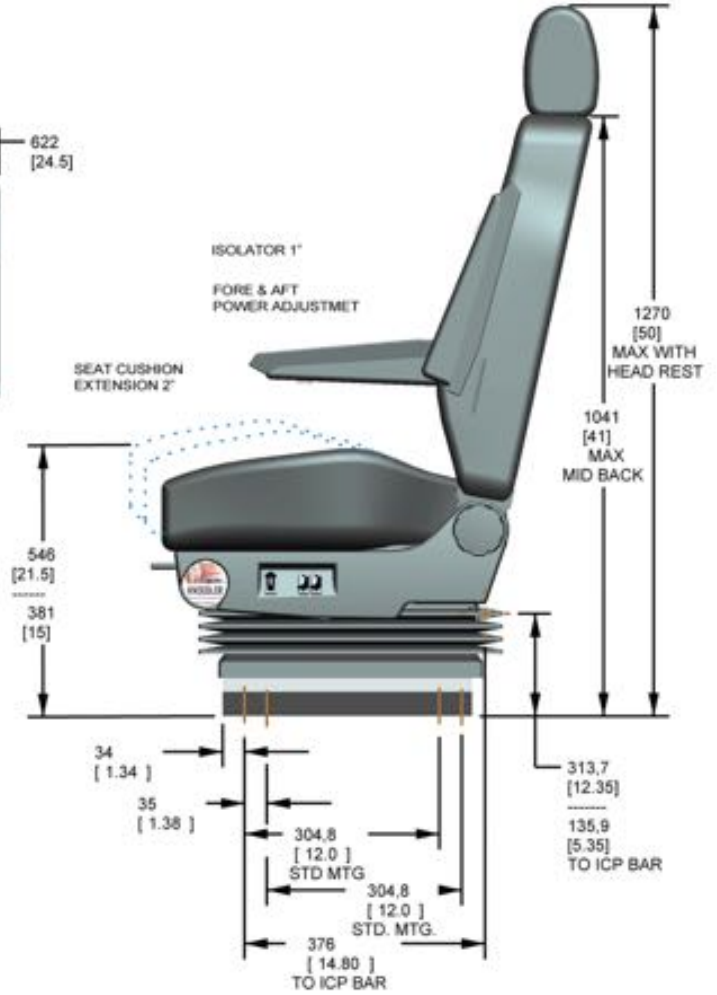
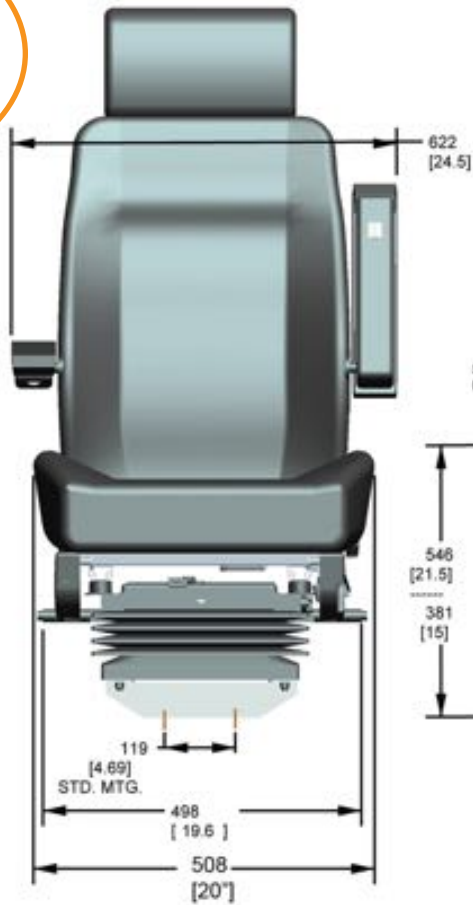


Kenworth & Peterbilt New  
2.1 Meter Cab Adaptor  
Part #: RR15-KWPB-000



# KNOEDLER®

MANUFACTURIÈRS CANADA, LTEE



**NOTE:**

If you opted for the 2" lower seat, then subtract 2" from the height dimensions shown above.

**NOTE:** It is the responsibility of the installer to determine the suitability for use of this product in each application. The drawings are for reference purpose only

**WARNING:** Serious injury may occur if head clearance is not adequate.

After installing seat and before riding or driving the vehicle, ensure there is adequate head clearance at maximum upward travel of seat. In order to reach the highest position of the seat, while sitting in seat, slowly raise the seat to its maximum height by actuating the suspension air control valve.