



## Super ULTRA-COMPACT



Part # Shown: 98SC-E52-LB-T31

### Standard Features:

- Air-Chief Seat Top – Ergonomic Cushion Design Technology
  - o Contoured seat and back foams for good support.
  - o 20" wide Ergonomic Cushions
  - o Build-in Lumbar & Kidney Support
  - o Full Reclining Adjustment
- Fore & aft Position Adjustment
- Heavy-Duty Extreme Low Profile Suspension System
  - o Poly-Dynamic Air-Suspension™  
(For details see back side)

### Options:

- Front Adjustable Armrests
- Integrated Isolator (Fore & Aft)
- 12V/24V Volt Integrated Compressor System  
(See back side)

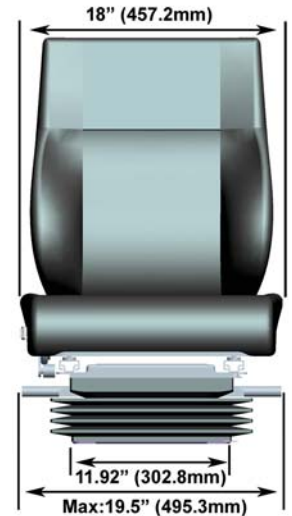
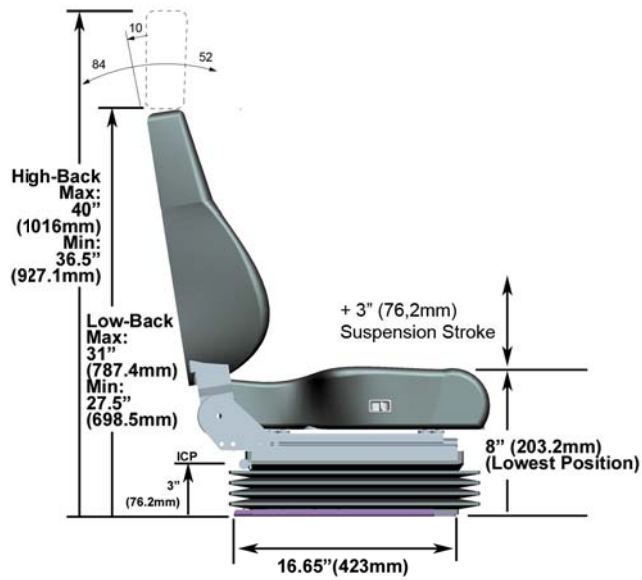
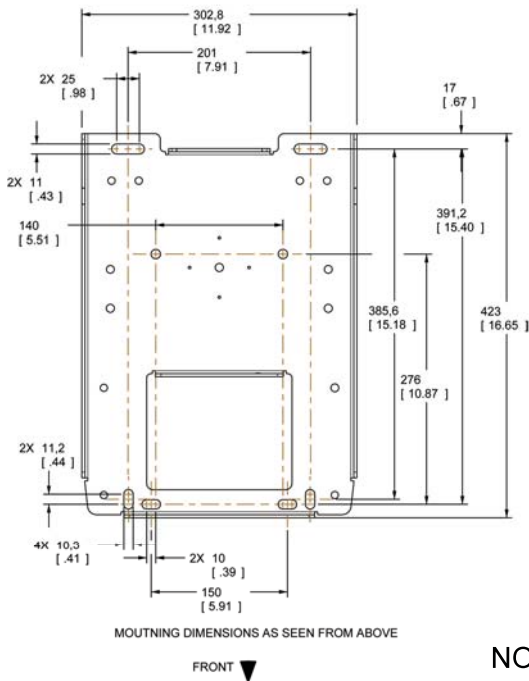
Part Number	Options
98SC-E50-LB-(XX)	3" SUSP.STROKE - LOW BACK
98SC-E50-HB-(XX)	3" SUSP.STROKE - HIGH BACK
98SC-E52-LB-(XX)	3" SUSP. STROKE -LOW BACK -ISOLATOR
98SC-E52-HB-(XX)	3" SUSP.STROKE - HIGH BACK -ISOLATOR
98SC-E60-LB-(XX)	3" SUSP.STROKE - LOW BACK - ARMS
98SC-E60-HB-(XX)	3" SUSP.STROKE - HIGH BACK - ARMS
98SC-E62-LB-(XX)	3" SUSP.STROKE - LOW BACK - ARMS - ISOLATOR
98SC-E62-HB-(XX)	3" SUSP.STROKE - HIGH BACK - ARMS - ISOLATOR

### SUPER ULTRA-COMPACT w/ VINYL COVERS

98SC-E50-LB-V(XX)	3" SUSP.STROKE - LOW BACK
98SC-E52-LB-V(XX)	3" SUSP.STROKE - LOW BACK - ISOLATOR
98SC-E52-HB-V(XX)	3" SUSP.STROKE - HIGH BACK - ISOLATOR

[www.knoedler.com](http://www.knoedler.com)

Customer Service: 450-445-4777 - Fax: 450-445-0086



NOTE: It is the responsibility of the installer to determine the suitability for use of this product in each application. The drawings are for reference purpose only

### Poly-Dynamic Air-Suspension System™:

It combines the “isolator suspension” (fore & aft suspension) with the “air-suspension” system (vertical suspension).

Advantages are:

- Improved performance as both directions of the suspension are coherently integrated and therefore work together as one.

- Increased Comfort:

Because the ICP's (Inter Connecting Points) of the lower 2 seat-belt-mounting points move with both the vertical suspension and the isolator suspension during normal operation. And therefore there are no relative movements between the seat belt and the body of the seat occupant.

This drastically improves the seat belt wearing comfort and therefore automatically encourages seat belt use.

- Less moving parts which directly result in more stability and longer life cycles.

- Less noise: No rattling of the slide mechanism.

### SELF CONTAINED SUSPENSION (with INTEGRATED COMPRESSOR) --- VERY LOW PROFILE APPLICATIONS ---

Part Number	Options
98SS-E50-LB-(XX)	3" SUSP.STROKE - LOW BACK - 12V/COMPRESSOR
98SS-E50-HB-(XX)	3" SUSP.STROKE - HIGH BACK - 12V/COMPRESSOR
98SS-E52-LB-(XX)	3" SUSP. STROKE - LOW BACK - ISOLATOR - 12V/COMPRESSOR
98SS-E52-HB-(XX)	3" SUSP.STROKE - HIGH BACK - ISOLATOR - 12V/COMPRESSOR
98SS-E60-LB-(XX)	3" SUSP.STROKE - LOW BACK - ARMS-12V/COMPRESSOR
98SS-E60-HB-(XX)	3" SUSP.STROKE - HIGH BACK - ARMS -12V/COMPRESSOR
98SS-E62-LB-(XX)	3" SUSP.STROKE - LOW BACK - ARMS - ISOLATOR - 12V/COMPRESSOR
98SS-E62-HB-(XX)	3" SUSP.STROKE - HIGH BACK - ARMS - ISOLATOR - 12V/COMPRESSOR

### SUPER ULTRA-COMPACT SELF CONTAINED w/ VINYL COVERS

98SS-E50-LB-V(XX)	3" SUSP.STROKE - LOW BACK
98SS-E52-LB-V(XX)	3" SUSP.STROKE - LOW BACK - ISOLATOR - 12V/COMPRESSOR
98SS-E52-HB-V(XX)	3" SUSP.STROKE - HIGH BACK - ISOLATOR - 12V/COMPRESSOR

731152-000	MEMORY FOAM
9401-600-LX-XX	Left Armrest (Front Adjustable)
9401-600-RX-XX	Right Armrest (Front Adjustable)

### Super ULTRA-COMPACT



#### Upholstery Colors



(Real Leather Colors are not shown, as colors vary)  
Other Materials, and colors may be available.  
Please contact us: info@knoedler.com